



EV | 200 Vdc EV Fuse Links

AE4 EV Fuse



FEATURES:

- 200V DC / 275 VAC automotive fuse
- Rated Current: 10-50 A
- Rated Breaking Capacity: 10 kA@200V DC
20 kA@275V AC
- Time Constant: 2 ± 0.5 ms
- Dimensions: 10x26 mm
- General purpose fuse for EV/HEV auxiliary protection,
- Ref. To: UL248-20; ISO 8820-8; GB/T 31465.6

ELECTRICAL SPECIFICATIONS

Part Number				Rated Current	Ampere Code	Rated Voltage	Breaking Capacity
Cartridge	Central Mount	PCB Mount	Level Mount				
AE42100600	AE42100601	AE42100603	AE42100605	10A	2100	200 VDC 275 VAC	10 kA@200 VDC 20 kA@275 VAC
AE42150600	AE42150601	AE42150603	AE42150605	15A	2150		
AE42200600	AE42200601	AE42200603	AE42200605	20A	2200		
AE42250600	AE42250601	AE42250603	AE42250605	25A	2250		
AE42300600	AE42300601	AE42300603	AE42300605	30A	2300		
AE42400600	AE42400601	AE42400603	AE42400605	40A	2400		
AE42500600	AE42500601	AE42500603	AE42500605	50A	2500		

Note: Operation Temperature Range: -40°C ~ +125°C

TIME VS CURRENT CHARACTERISTIC

Rated Current	110%	200%	300%	500%
10-50 A	>4 h	0.5-100 s	0.1-15 s	0.05-1 s

PART NUMBER SYSTEM

AE4 2500 6 00

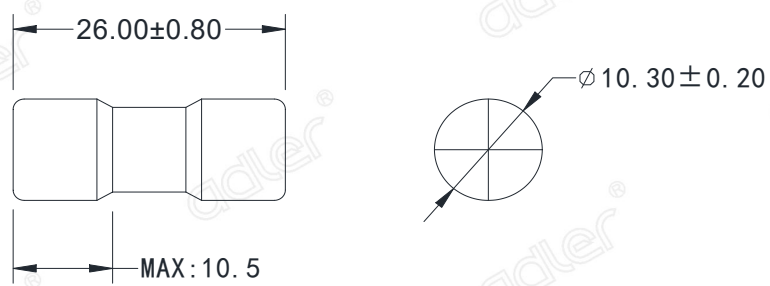


- 1Product Series AE4
 2 Ampere Code 50A(see electrical specificaiton of amp code column)
 3 Rated Voltage 6 - 200V DC / 275V AC
 4 Supplementary Code 00: Cartridge; 01: Central Mount; 03: PCB Mount; 05: Level Mount;

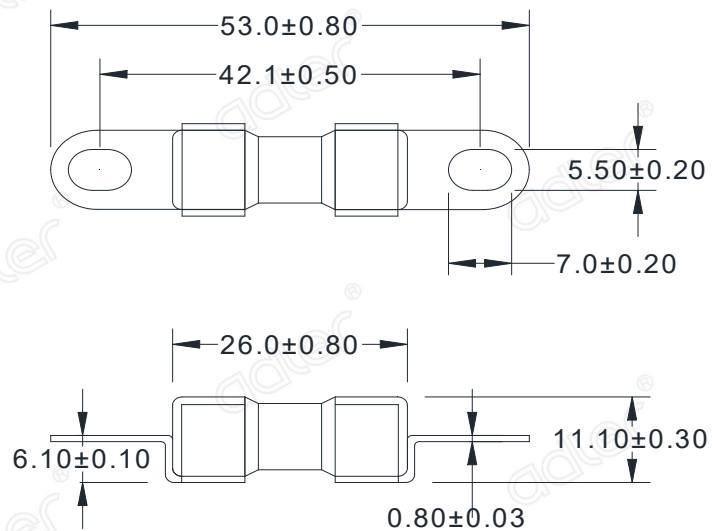


DIMENSIONS (mm)

AE4xxxx600



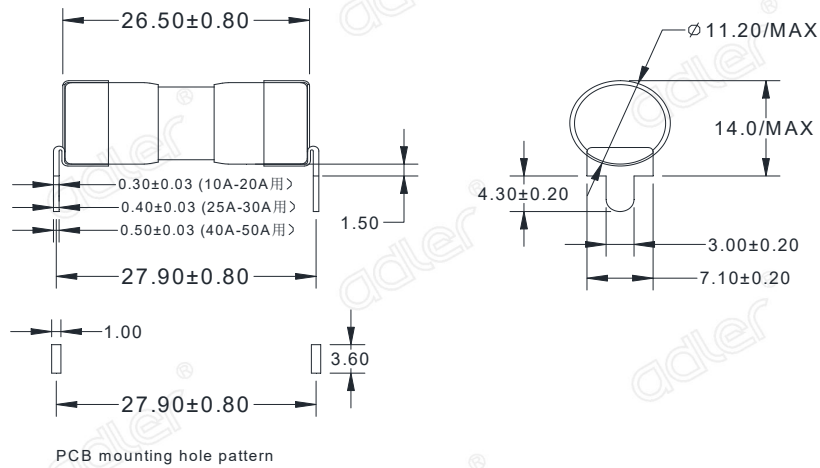
AE4xxxx601



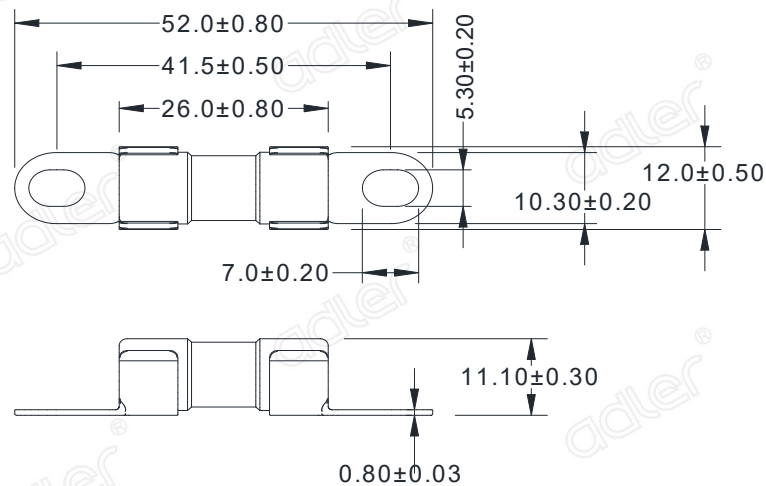


EV | 200 Vdc EV Fuse Links

AE4xxxx603



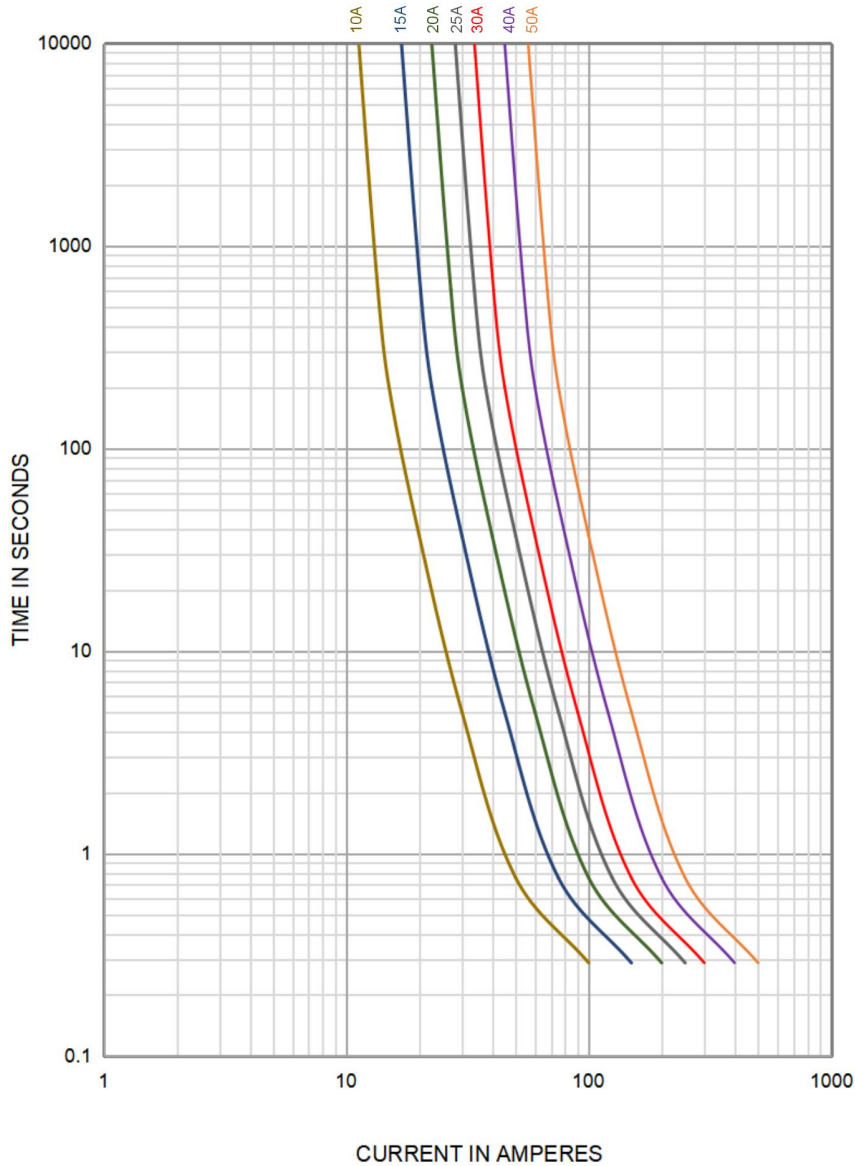
AE4xxxx605





TIME CURRENT CURVE

Average Current Curve (I-T Curve)



Web Resources

Download the latest technical documents: www.adlerelectric.com. Specifications are subject to change without notice.