

BFR Series EV Fuse Holder



FEATURES:

The ADLER BFR series EV fuse holder uses special material to withstand highest fault currents and temperatures for automotive fuses and applications.

DESCRIPTION:

The BFR series EV fuse Holder is suitable for use with automotive equipment and designed for ADLER EV fuse links.

SPECIFICATIONS:

- Rated Voltage: 1000 VAC/DC
- Recommended current: ≤ 200 A
- Operating temperature: -50°C to $+180^{\circ}\text{C}$
- Max Voltage: 13-18 kV
- Insulation Board Material: FR4
- Insulation Resistance: 50, 000 M Ω
- Metal Material : stainless steel
- UL-94 Flame retardant grade : 94HB

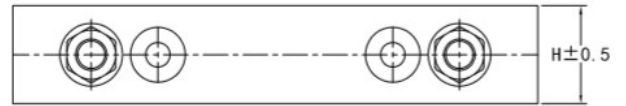
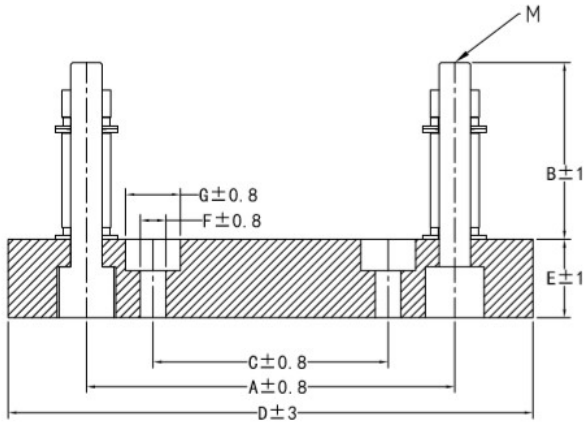
EV HOLDER MATCHING FUSE

P/N	Matching Fuse
BFR063-38-M6	AE5xxxx620
BFR071-46-M8	AE5xxxx625, AE5xxxx631, AT5xxxx604
BFR094-45-M8	AE7xxxxi25
BFR099-70-M10	AE7xxxxi38, AE7xxxxi51
BFR106-46-M8	AEXxxxx731
BFR116-72-M10	AEXxxxx738, AEXxxxx751
BFR091-35-M8	AT8xxxx302
BFR101-45-M10	AT7xxxxC03 , ATXxxxxC01
BFR086-45-M8	AT8xxxx702
BFR082-45-M10	AT5xxxxB04
BFR065-45-M10	AT2xxxxE00
BFR043-28-M6	AT1xxxx105
BFR050-28-M8	AEYxxxx900 , AEYxxxx901
BFR050-28-M6	AB1xxxx100 , AB1xxxx101



adler®

DIMENSIONS: Units in mm



P/N	A	B	C	D	E	F	G	H	M
BFR063-38-M6	63	38	31	84	15	5.5	9	25	M6
BFR071-46-M8	71	46	25	96	15	8.5	14	30	M8
BFR094-45-M8	94	45	60	134	20	6.5	14	25	M8
BFR099-70-M10	99	70	60	146	20	6.5	14	42	M10
BFR106-46-M8	106	46	60	146	20	6.5	14	35	M8
BFR116-72-M10	116	72	60	146	20	6.5	14	42	M10
BFR091-35-M8	91.5	35	25	130	15	8.5	17	30	M8
BFR101-45-M10	101.5	45	40	150	25	8.5	17	48	M10
BFR101-72-M10	101.5	72	40	150	25	8.5	17	48	M10
BFR086-45-M8	86.8	45	35	130	20	8.5	17	42	M8
BFR082-45-M10	82.5	45	40	130	25	8.5	17	48	M10
BFR065-45-M10	65	45	30	115	25	8.5	17	48	M10
BFR043-28-M6	43	28	15	70	15	5.5	9	25	M6
BFR050-28-M8	50.9	28	15	80	15	5.5	9	30	M8
BFR050-28-M6	50.5	28	15	80	15	5.5	9	30	M6